

Power supply unit AN420

Power supply unit for measuring current transformers



Power supply unit AN420

Power supply unit for measuring current transformers



Power supply unit AN420

Product description

The power supply unit AN420 is intended to supply current transformers of the W...AB series. These are supplied with a symmetrical supply voltage of DC ± 12 V via a pre-fabricated power supply cord of the WXS... type range.

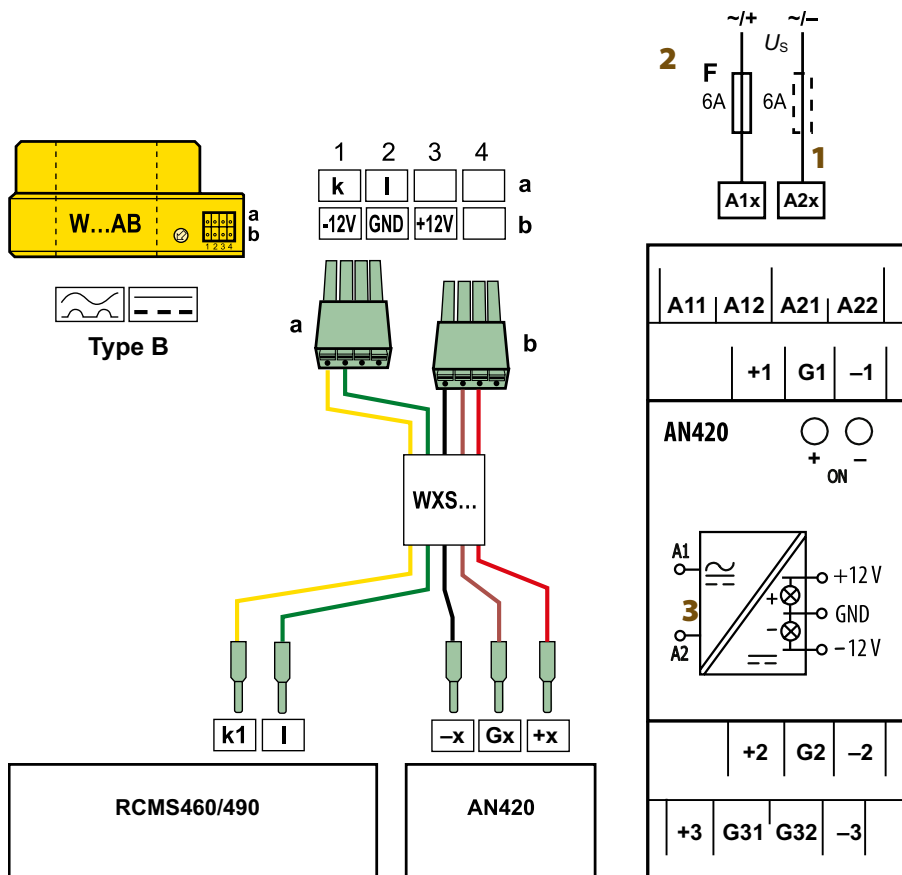
The power supply unit is capable of supplying up to six W...AB series measuring current transformers.

The ON-LEDs "+" and "-" of the power supply unit signal that a symmetrical output voltage of ± 12 V is present.

Approvals



Wiring diagram



- 1 - Supply voltage U_s
- 2 - Short-circuit protection of U_s , 6 A fuse recommended
- 3 - +12 V/GND/-12 V (Symmetrical output voltage)

Colour coding for the conductors of the WXS... connecting cable

k(1) = yellow, I = green, -x (-12 V) = black, Gx (GND) = brown, +x (+12 V) = red

Technical data

Insulation coordination acc. to IEC 60664-1/IEC 60664-3

AN420-2:

Rated insulation voltage	250 V
Overvoltage category	III
Rated impulse voltage/pollution degree	4 kV/3
Protective separation (reinforced insulation) between	(A1, A2) - (+12 V, GND, -12 V)
Voltage test acc. to IEC 61010-1	2.24 kV

Supply voltage

Nominal supply voltage U_s	AC/DC 100...250 V
Frequency range U_s	DC, 50/60 Hz
Operating range U_s	AC/DC 70...276 V
Power consumption	≤ 38 VA

Output power supply unit

Output voltage U_{out}	DC ± 12 V, short-circuit proof
Operating range	11.9...12.1 V
Rated output	10 W

Cable length

Recommended cable	WXS100...WXS1000 (see ordering information)
-------------------	---

Environment/EMC

EMC	IEC61204-3
Operating temperature	-25...+55 °C

Climatic class acc. to IEC 60721

Stationary use (IEC 60721-3-3)	3K5 (except condensation and formation of ice)
Transport (IEC 60721-3-2)	2K3 (except condensation and formation of ice)
Long-time storage (IEC 60721-3-1)	1K4 (except condensation and formation of ice)

Classification of mechanical conditions IEC 60721

Stationary use (IEC 60721-3-3)	3M4
Transport (IEC 60721-3-2)	2M2
Long-time storage (IEC 60721-3-1)	1M3

Connection

Connection type	screw-type terminals or push-wire terminals
Connection properties	
rigid	0.2...2.5mm ² (AWG 24...14)
flexible without ferrule	0.75...2.5 mm ² (AWG 19...14)
flexible with ferrule	0.2...1.5 mm ² (AWG 24...16)
Stripping length	10 mm
Opening force	50 N
Test opening, diameter	2.1 mm

Other

Operating mode	continuous operation
Mounting	any position
Degree of protection, internal components (IEC 60529)	IP30
Degree of protection, terminals (IEC 60529)	IP20
Enclosure material	polycarbonate
Screw mounting	2 x M4 with mounting clip
DIN rail mounting acc. to	IEC 60715
Flammability class	UL94 V-0
Documentation number	D00081
Weight	≤ 140 g

Ordering information

Supply voltage ¹⁾ U_s	Output voltage	Type	Art. No.	
			screw-type terminals	push-wire terminals
70...276 V, 42...460 Hz	± 12 V/400 mA	AN420-2	B94053100	B74053100

¹⁾ Absolute values

Accessories

Type designation	Art. No.
Mounting clip for screw mounting (1 piece per device)	B98060008

Connecting cables for measuring current transformers of the W...AB series

Length	Type	Art. No.
1 m	WXS-100	B98080506
2,5 m	WXS-250	B98080507
5 m	WXS-500	B98080508
10 m	WXS-1000	B98080509

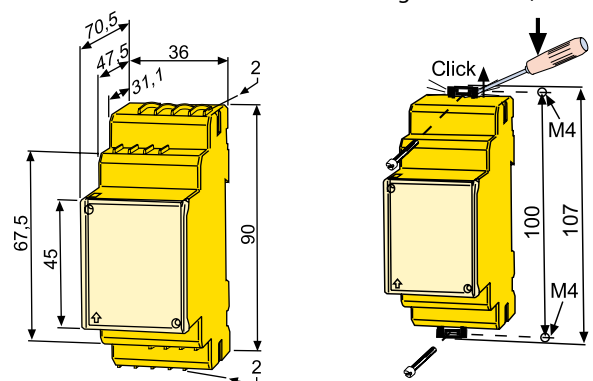
Dimension diagram XM420

Dimensions in mm

Open the front plate cover in direction of arrow!

Screw mounting

Note: The upper mounting clip must be ordered separately (see ordering information).





Bender GmbH & Co. KG

P.O. Box 1161 • 35301 Gruenberg • Germany
Londorfer Strasse 65 • 35305 Gruenberg • Germany
Tel.: +49 6401 807-0 • Fax: +49 6401 807-259
E-Mail: info@bender.de • www.bender.de



BENDER Group